

ACURA SPA SYSTEMS, INC.

MEGATROL™ SERIES-211

MODEL:	MT50SP2H5B2S1G	
240V	50A. Service	60 Hz
REVISION:	9/30/2008	* Optional Items
PC Board Part Number: 2631-120		

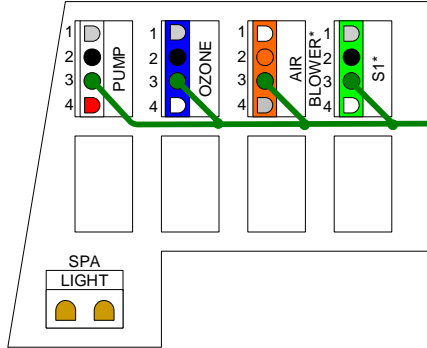
WARNING: MUST BE WIRED PER NATIONAL ELECTRIC CODE AND ALL LOCAL CODES AND REGULATIONS.

NOTE: To supply 120V to the heater, move RED wire on load side of **Terminal Block** from RED (L2) to WHITE (N).

NOTE: To supply 120V to the pump, move BLUE wire on load side of **Terminal Block** from RED (L2) to WHITE (N).

NOTE: Standard heater is 5.5kW, optional 4kW can be substituted.

Side Connectors

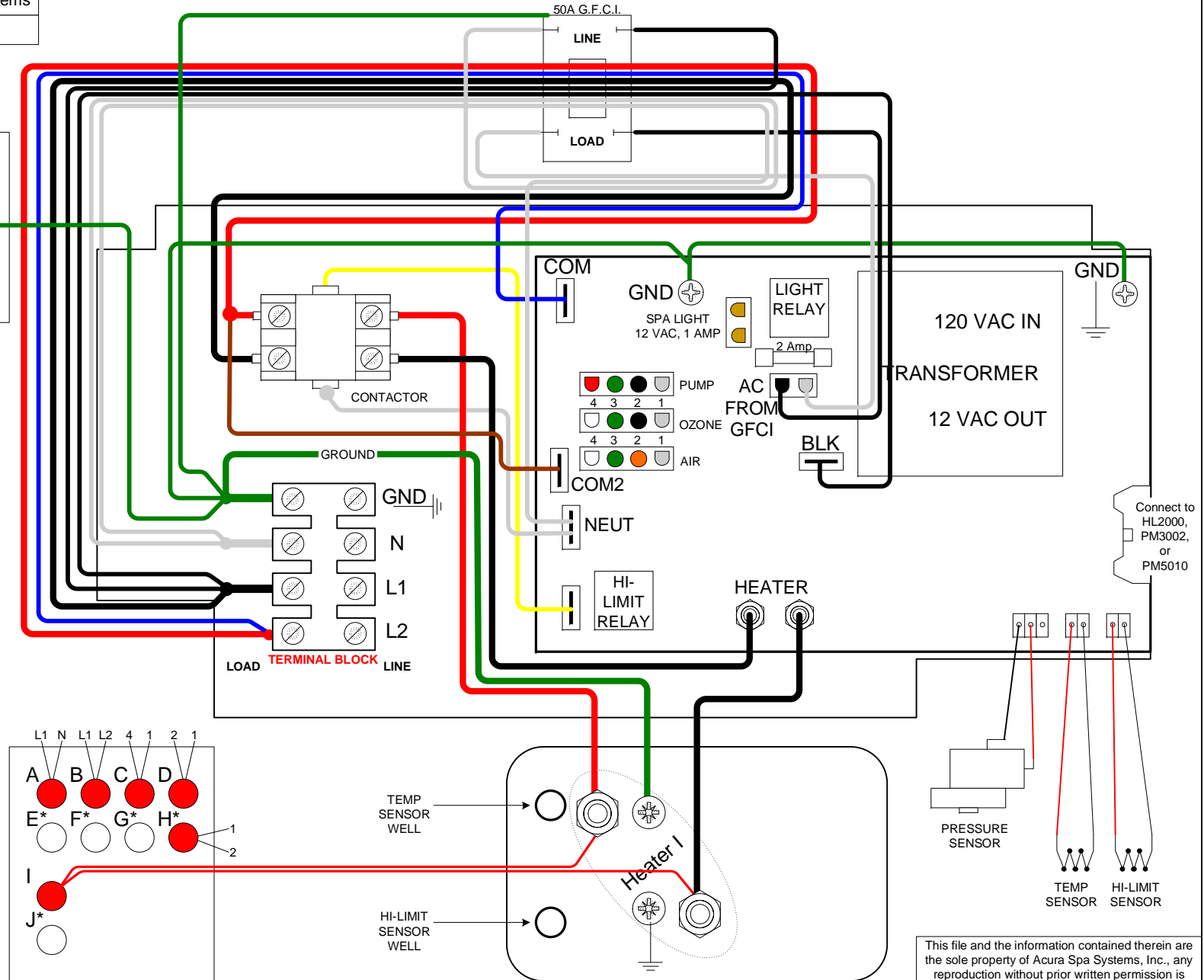


MT50SP2H5B2S1G	
MT	= Megatrol Series
50	= 50 Amp Service; 37.5 Amp Rated
SP2	= Single Pump, 240V
H5	= Single Heater, 5.5kW
B2	= Blower, 240V
S1	= Receptacle, 120V
G	= G.F.C.I.

Indicator Lights Connections

A	→ 120V Power	[L1,N]
B	→ 240V Power	[L1,L2]
C	→ Low Pump	[4,1]
D	→ High Pump	[2,1]
E*	→	
F*	→	
G*	→	
H*	→ Blower	[2,1]
I	→ Heater 1	
J*	→	

* Optional Items



Connect to HL2000, PM3002, or PM5010

This file and the information contained therein are the sole property of Acura Spa Systems, Inc., any reproduction without prior written permission is strictly forbidden.