

# ACURA SPA SYSTEMS, INC.

## MEGATROL™ SERIES-210

MODEL:	MT50SP2H5B1S1	
240V	50A. Service	60 Hz
REVISION:	15/11/06	* Optional Items

Heater: H5 = 5.5kW; H4 = 4kW.

**WARNING: MUST BE WIRED PER NATIONAL ELECTRIC CODE AND ALL LOCAL CODES AND REGULATIONS.**

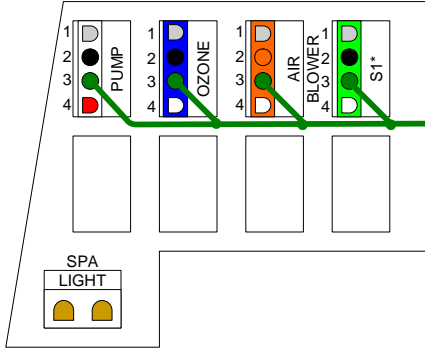
NOTE: To supply 120V to the heater, move RED wire on load side of **Terminal Block** from RED (L2) to WHITE (N).

NOTE: To supply 120V to the pump, move BLUE wire on load side of **Terminal Block** from RED (L2) to WHITE (N).

NOTE: Standard heater is 5.5kW, optional 4kW can be substituted.

**WARNING: CONNECT ONLY TO A G.F.C.I. PROTECTED CIRCUIT.**

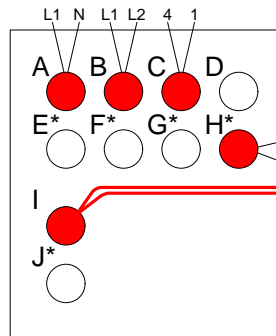
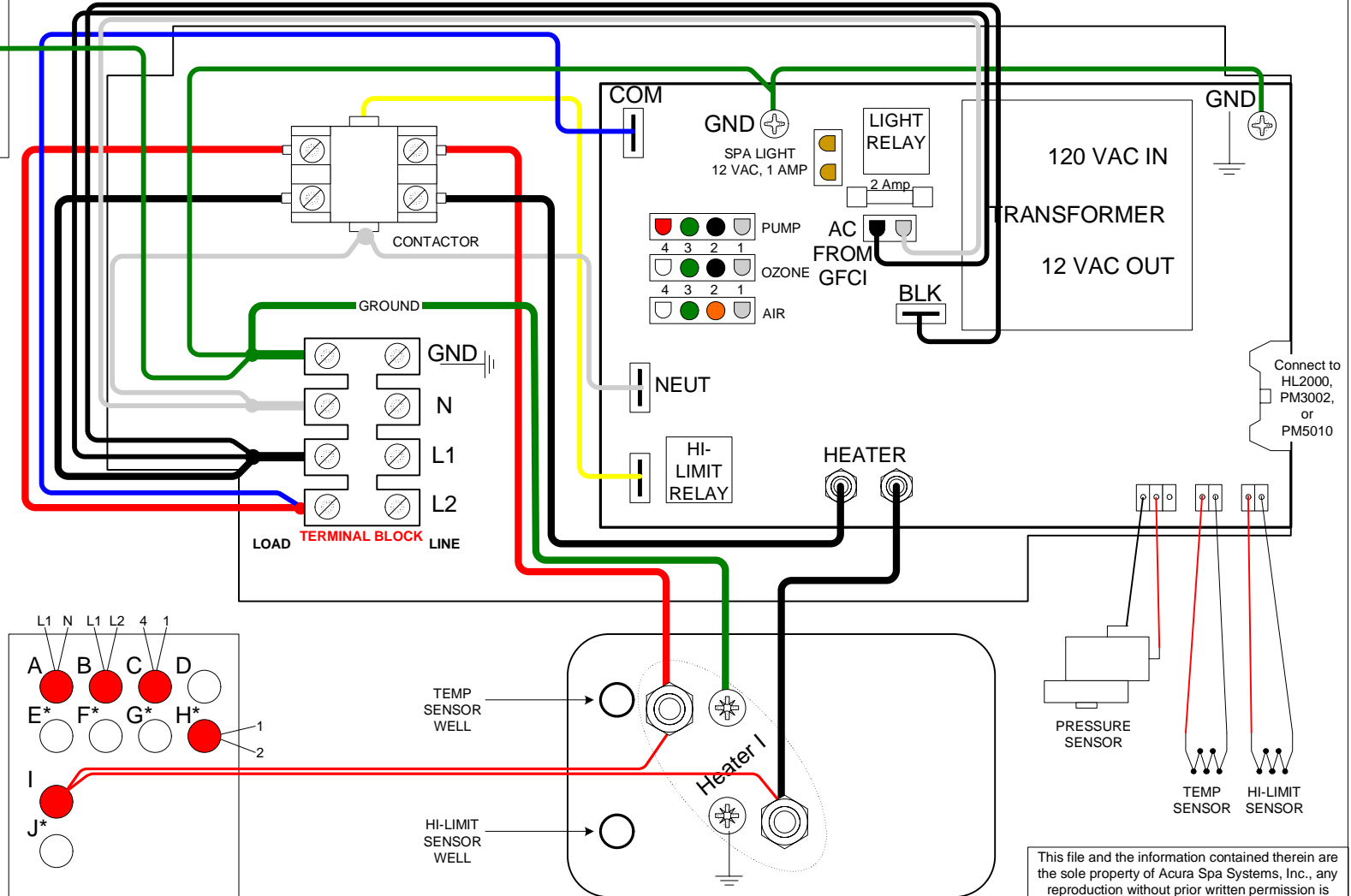
### Side Connectors



MT50SP2H5B1S1	
MT	= Megatrol Series
50	= 50 Amp Service; 37.5 Amp Rated
SP2	= Single Pump, 240V
H5	= Single Heater, 5.5kW
B1	= Blower, 120V
S1	= Receptacle, 120V

### Indicator Lights Connections

A	> 120V Power	[L1,N]
B	> 240V Power	[L1,L2]
C	> Low Pump	[4,1]
D	> High Pump	[2,1]
E*	>	
F*	>	
G*	>	
H*	> Blower	[2,1]
I	> Heater 1	
J*	>	
* Optional Items		



This file and the information contained therein are the sole property of Acura Spa Systems, Inc., any reproduction without prior written permission is strictly forbidden.