

# ACURA SPA SYSTEMS, INC.

## MEGATROL™ SERIES-211

MODEL:	<b>MT50SP1H5B1S1G</b>	
240V	50A. Service	60 Hz
REVISION:	7/20/2009	* Optional Items
PC Board Part Number: 2631-120		

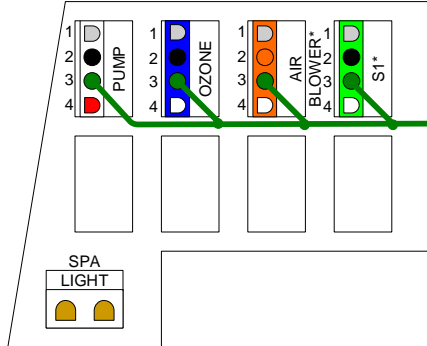
**WARNING: MUST BE WIRED PER NATIONAL ELECTRIC CODE AND ALL LOCAL CODES AND REGULATIONS.**

NOTE: To supply 120V to the heater, move RED wire on load side of **Terminal Block** from RED (L2) to WHITE (N).

NOTE: To supply 120V to the pump, move BLUE wire on load side of **Terminal Block** from RED (L2) to WHITE (N).

NOTE: Standard heater is 5.5kW, optional 4kW can be substituted.

### Side Connectors

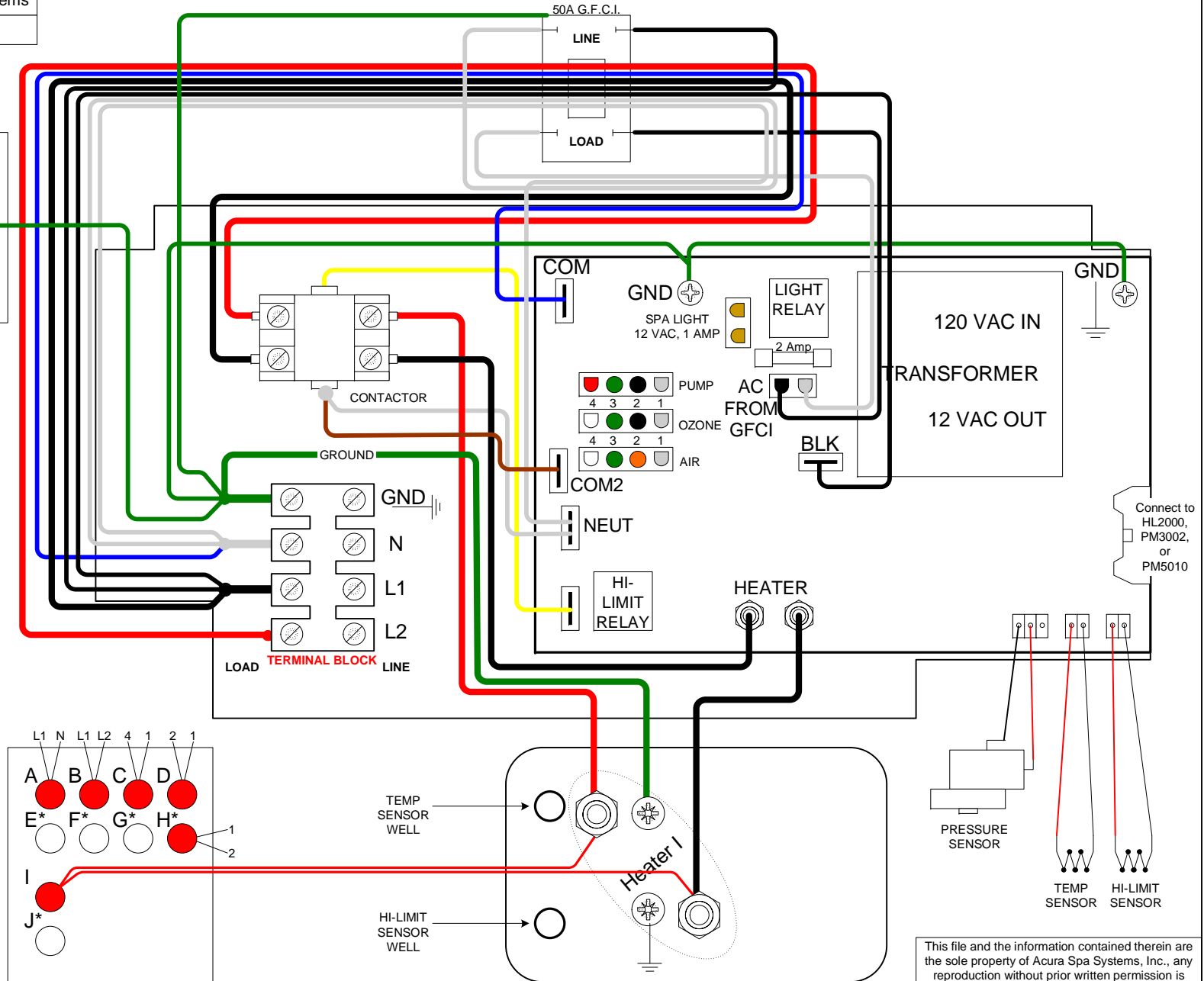


MT50SP2H5B1S1G	
MT = Megatrol Series	
50	= 50 Amp Service; 37.5 Amp Rated
SP1	= Single Pump, 120V
H5	= Single Heater, 5.5kW
B1	= Blower, 120V
S1	= Receptacle, 120V
G	= G.F.C.I.

### Indicator Lights Connections

A	→ 120V Power	[L1,N]
B	→ 240V Power	[L1,L2]
C	→ Low Pump	[4,1]
D	→ High Pump	[2,1]
E*	→	
F*	→	
G*	→	
H*	→ Blower	[2,1]
I	→ Heater 1	
J*	→	

\* Optional Items



This file and the information contained therein are the sole property of Acura Spa Systems, Inc., any reproduction without prior written permission is strictly forbidden.