

ACURA SPA SYSTEMS, INC.

MEGATROL™ SERIES-220-NT

MODEL: MT25TP2H5TB2S2O2-NT

25A Service 400V-230V 3-Phase 50Hz

REVISION: 09/11/10 \* Optional Items



ETL LISTED

CONFORMS TO ANSI/UL STD. 1081

CONFORMS TO UL STD. 1563

CERTIFIED TO CAN/CSA C22.2 NO. 218.1 M89

CONFORMS TO IEC 60335-1:2002

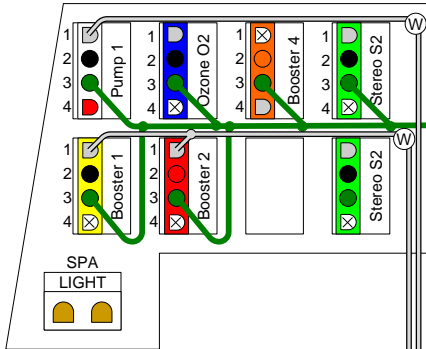
CONFORMS TO IEC 60335-2-60:2002

**WARNING: MUST BE WIRED PER NATIONAL ELECTRIC CODE AND ALL LOCAL CODES AND REGULATIONS.**

**WARNING: CONNECT ONLY TO A G.F.C.I. PROTECTED CIRCUIT.**



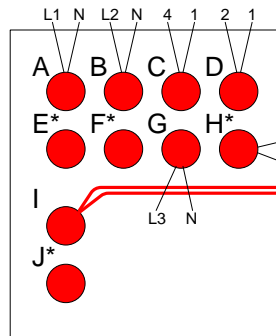
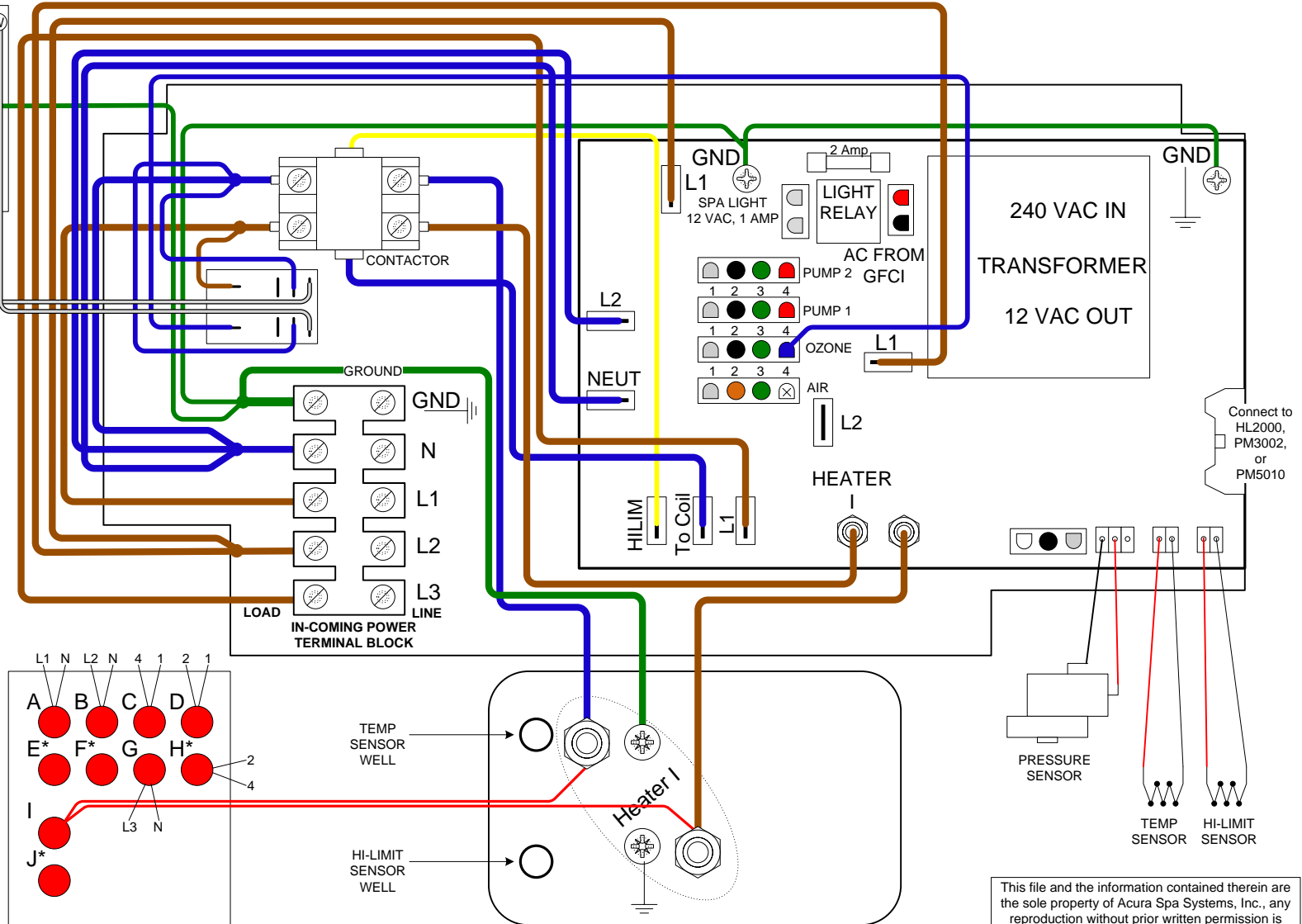
Output Connectors



MT25TP2H5TB2S2O2-NT	
MT	= Megatrol Series
25	= 25 Amp Service
TP2	= Triple Pumps 240V
H5T	= Heater 5,000W Titanium
B2	= Blower Receptacle, 240V
S2	= Stereo Receptacle, 240V
O2	= Ozone Receptacle, 240V

Indicator Lights Connections

- A → L1 230V Power [L1,N]
  - B → L2 230V Power [L2,N]
  - C → Low Pump [4,1]
  - D → High Pump [2,1]
  - E\* → Booster 1 [4,1]
  - F\* → Booster 2 [2,1]
  - G\* → L3 230V Power [L3,N]
  - H\* → Booster 4 [2,4]
  - I → Heater
  - J\* →
- \* Optional Items



This file and the information contained therein are the sole property of Acura Spa Systems, Inc., any reproduction without prior written permission is strictly forbidden.